

- 4) Pre-drill pieces E with four 1/8" holes, two 3/4" in from each end, countersink with a 1/4" drill bit, and screw to the two outside pieces D as shown (Fig 5) with four 3" flothead screws.
- 5) Lay out the pieces H as shown (Fig 6 & 7). Bolt together with two 5/16" x 4" bolts and four washers, one bolt and two washers for each intersection point. Tighten the bolts so that the legs remain 1 3/4" apart at each end. Lay against the pieces G as shown (Fig 7) and drill through each H and G with a 5/16" drill bit. Bolt together with four 5/16" x 4" bolts and eight washers. Pre-drill two holes through one piece G with a 1/8" bit, countersink with a 1/4" bit, and screw to the other piece G with two #8 2 1/2" flothead screws. Repeat for the other bench leg assembly. Lay the assemblies on the pieces F, separating F by 1/4" and pre-drill through each G, two 1/8" holes and screw to F with 1/4" x 4" bolts and washers. Remove the pieces G and screw to F with #8 2" flothead screws. Pre-drill #8 2" holes through the outside legs will be on the same side to allow for proper attachment of piece J. Pre-drill J as you earlier pre-drilled E, and screw to legs H with four #8 3" flothead screws. Repeat this procedure for the other three benches.
- 6) You can now finish cut the table and benches for either the shape shown in Fig 9 or Fig 10. A simple compass can be made using a nail and narrow (2" wide) length of cordboard by locking one end of the cordboard to the project and punching a small hole at the other. End for your pencil to draw table Fig 9. Use a jig saw to cut corners. Sand the project and finish with either stain or wood preservative. The bench legs will be finished with a different stain or preservative if you desire. You can add an umbrella by drilling a hole in the center of the table, and have it supported by piece E. Drill a shallow hole in piece E to prevent slippage. To further finish the project, use a hacksaw to cut off any excess lengths on the bolts.

On materials:

We recommend cedar for this project as it is a nice soft wood to work with, although you can use other types of wood.

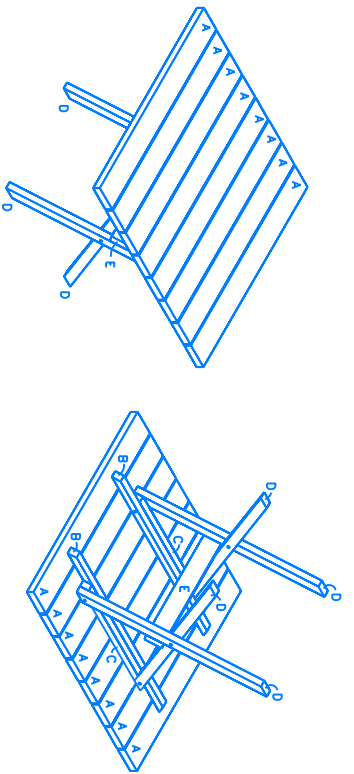
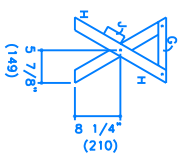
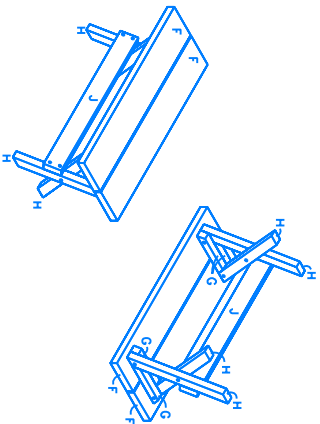


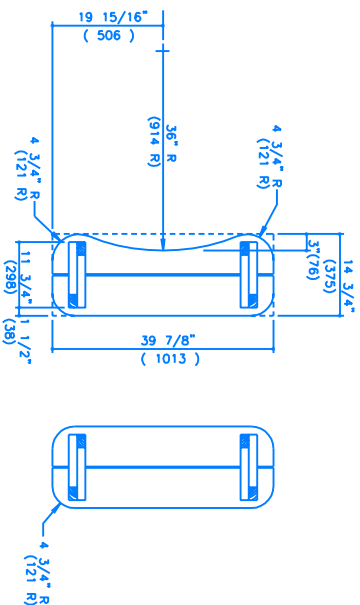
TABLE ASSEMBLY
FIGURE 5



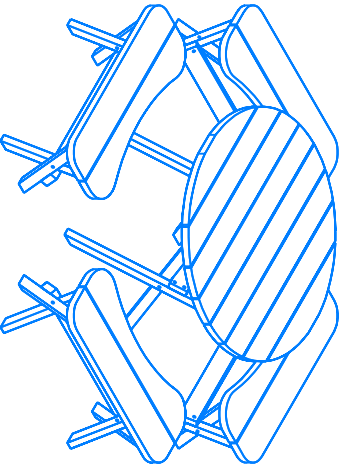
CHAIR END
FIGURE 6



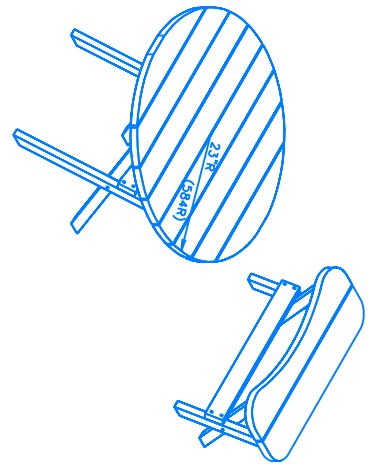
CHAIR ASSEMBLY
FIGURE 7



CHAIR UNDERSIDE (optional)
FIGURE 8



FINISHED TABLE & CHAIR
FIGURE 9



OPTIONAL FINISHED TABLE & CHAIR
FIGURE 10